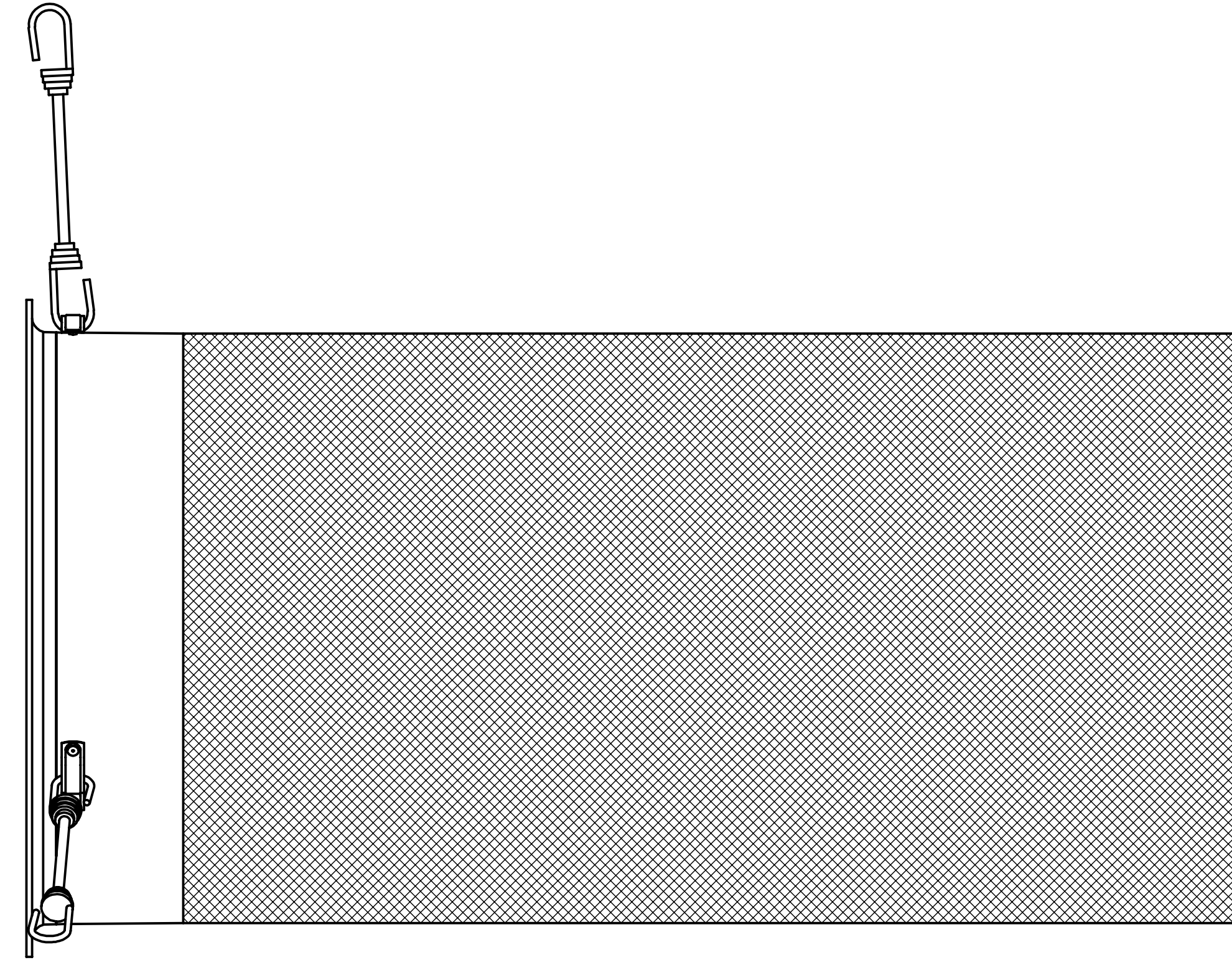
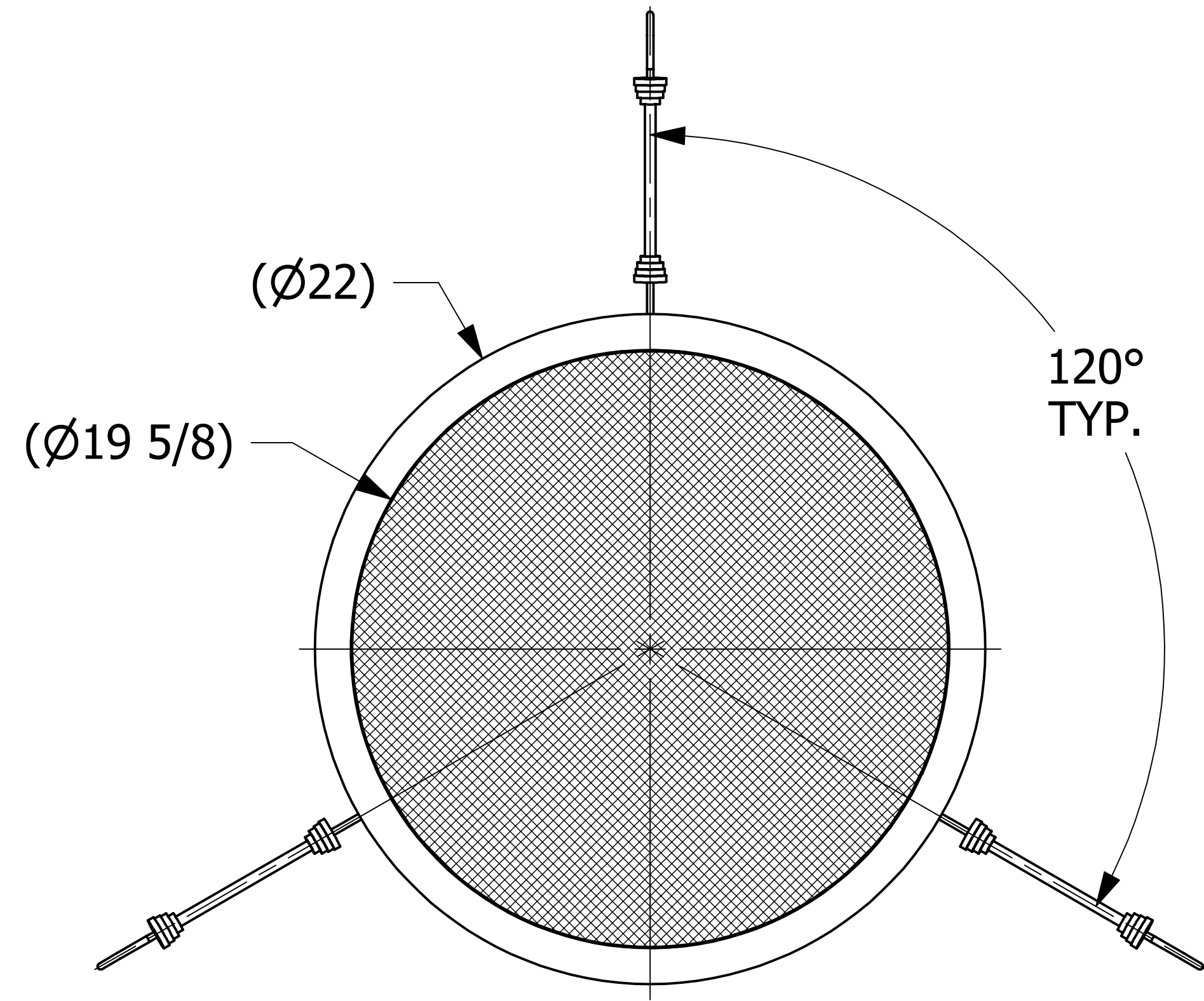



SALES DRAWING SALES DRAWING

SALES DRAWING SALES DRAWING



B	CHL	10-19-05	UPDATED DRAWING TO CURRENT STANDARDS
A	MRC	7-21-98	CHANGED BOM TO SUB-ASSEMBLIES
REV	BY	DATE	DESCRIPTION

UNLESS OTHERWISE SPECIFIED DIMENSIONAL TOLERANCES FRACTIONAL: ±1/16 X.XX: ±.03 X.XXX: ±.015 ANGULAR: ±1° DEBURR ALL SHARP EDGES. ALL MACHINED SURFACES TO HAVE A 125 RMS FINISH UNLESS NOTED OTHERWISE. THIRD ANGLE PROJECTION	DRAWN BY:	MRC
	CHECKED BY:	MR
	PROTOTYPE BY:	MRC
	PROTOTYPE DATE:	6/10/1997
	APPROVED FOR PRODUCTION BY:	MRC
	PRODUCTION DATE:	6/10/1997

 SALCO PRODUCTS, INC.		
PART NAME: THROAT LINER ASSEMBLY 20"		
MATERIAL: UHMWPE/NYLON		
PROJECT #:	SHEET #:	SCALE:
	1 OF 1	1:4
DRAWING #:	PART #:	
D8799	TL20BBF36	

THIS PRINT, PROPERTY OF SALCO PRODUCTS INC. CONTAINS PROPRIETARY INFORMATION AND MUST NOT BE COPIED, REPRODUCED, OR USED DETRIMENTALLY TO OUR INTEREST.